

CONSTIX® Sealed Polyester Swab SP-10M

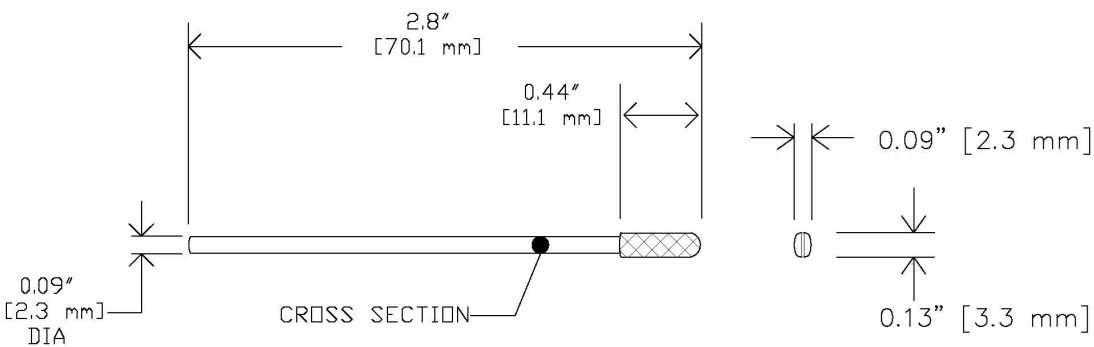
Double layer sealed knitted microfiber polyester swab



CONSTIX® SP-10M sealed polyester swab consists of 100% knitted microfiber polyester fabric that is thermally bonded to a flex-tip polypropylene handle. The swab head is made of cleanroom laundered, double layer knitted microfiber polyester material. The polyester head is thermally sealed and attached, constructed without adhesives or binders. The polypropylene handle has a thin, flexible tip that enables access to very small areas and components. The swab is durable, absorbent and features extremely low particles and residue levels.



Features	Benefits
Microfiber polyester head	<ul style="list-style-type: none"> • Provides enhanced sorbency, particle entrapment, and removal • Compatible with most common solvents, such as alcohols and ketones
Thin, flexible tip	<ul style="list-style-type: none"> • Enables access to very small areas and components

Part No.	Description	Size	Packaging
SP-10M	CONSTIX Sealed polyester swab	Head dimension: 0.13" x 0.44" (3.3 x 11.1 mm) Handle diameter: 0.09" (2.3 mm) Total length: 2.8" (70.1 mm)	500/case



Product Information	
Head material	<ul style="list-style-type: none"> Knitted polyester
Handle material	<ul style="list-style-type: none"> Polypropylene
Construction	<ul style="list-style-type: none"> Thermally sealed and attached
Packaging materials	<ul style="list-style-type: none"> Outer bags (BG): low density polyethylene (LDPE)  Case (CS): corrugated fiberboard (PAP) 

Recycle Symbols



Packaging	EA/BG	BG/CS	EA/CS
SP-10M	100	5	500

EA = each; BG = bag; CS = case