

CONSTIX® Sealed Foam Swab SF-2

Rectangular polyurethane sealed foam swab

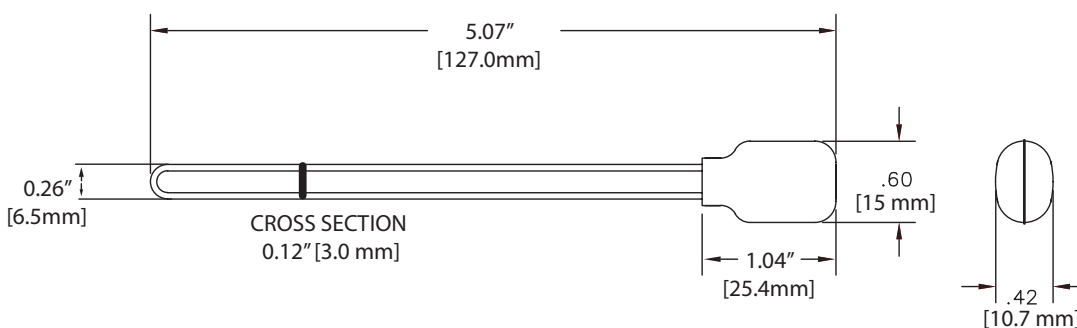
CONSTIX® SF-2 swab consists of 100 pore-per-inch sealed closed-cell foam head with a polypropylene handle. The swab head is thermally sealed and bonded to the handle without adhesives or binders.



The polyurethane foam head provides good particle entrapment and removal. The large size of the foam head of the SF-2 swab provides better surface coverage for cleaning. SF-2 swab is compatible with many solvents, such as isopropanol and ethanol, but is not recommended for use with ketones, such as acetone or MEK.



Features	Benefits
Polyurethane foam head	<ul style="list-style-type: none"> Provides good particle entrapment and removal
Larger, rectangular head	<ul style="list-style-type: none"> Ideal for swabbing larger areas and applying coating

Part No.	Description	Size	Packaging
SF-2	CONSTIX Sealed foam swab	Head dimension: 0.60" x 1.04" (15 x 25.4 mm) Handle diameter: 0.26" (6.5 mm) Total length: 5.07" (127.0 mm)	500/case



Product Information	
Head material	<ul style="list-style-type: none"> • 100 PPI closed-cell polyurethane foam
Handle material	<ul style="list-style-type: none"> • 100% polypropylene
Construction	<ul style="list-style-type: none"> • Thermally sealed and attached
Packaging materials	<ul style="list-style-type: none"> • Outer bags (BG): low density polyethylene (LDPE)  Case (CS): corrugated fiberboard (PAP) 
Environment	<ul style="list-style-type: none"> • ISO 5-8 Grade C/D

Recycle Symbols



Packaging	EA/BG	BG/CS	EA/CS
SF-2	50	10	500

EA = each; BG = bag; CS = case